

MOBULA

SMART FISHING DRONE

Quick Start Guide

V3



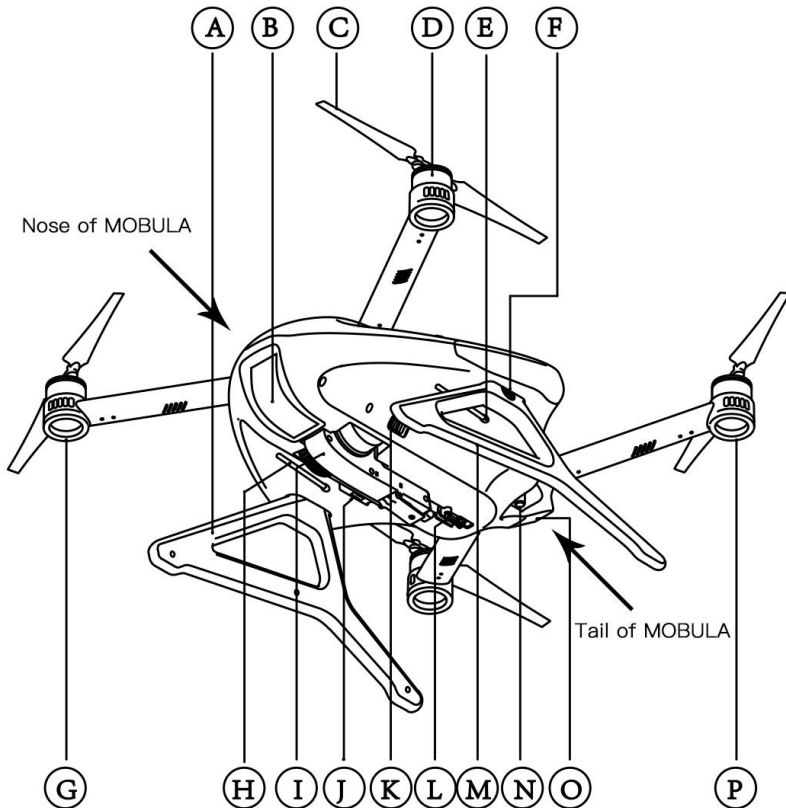
Download the Rippton App

Search for “Rippton” on the Google Play Store, Samsung Galaxy Apps or App Store to install the app on your mobile device or scan this QR code.

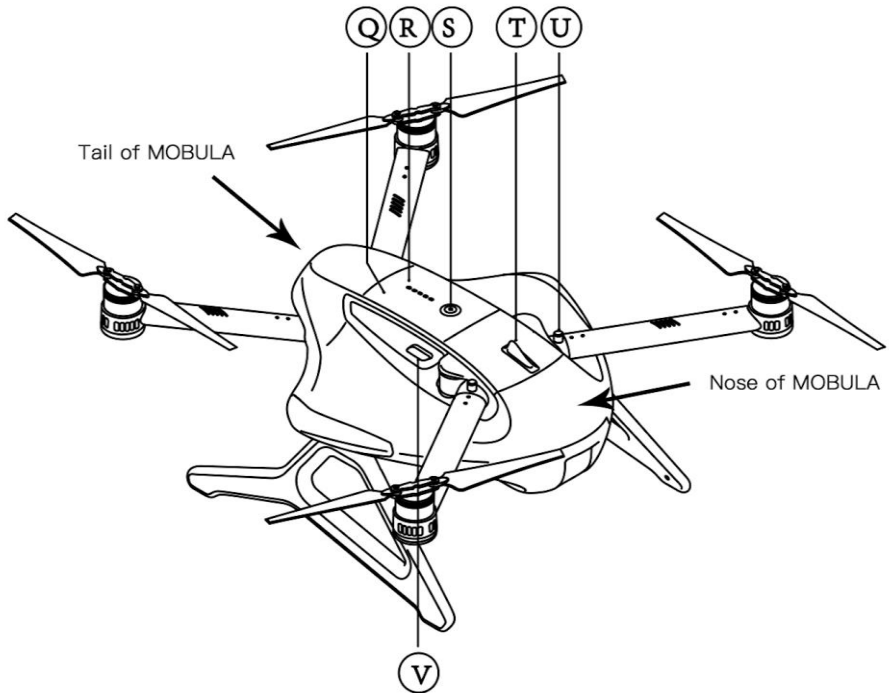
MOBULA

The Rippton MOBULA is a profession smart fishing drone, being capable of hanging at most 2.5 kg baits¹ to the water area where you attempt to go fishing, with foldable arms to easily carry.

Together with the use of the Rippton app, MOBULA can fly to any fishing point within a distance of 1.5 km away from you by tapping the GPS map shown on the screen of your mobile device, and be able to save all the fishing points it once arrived at.



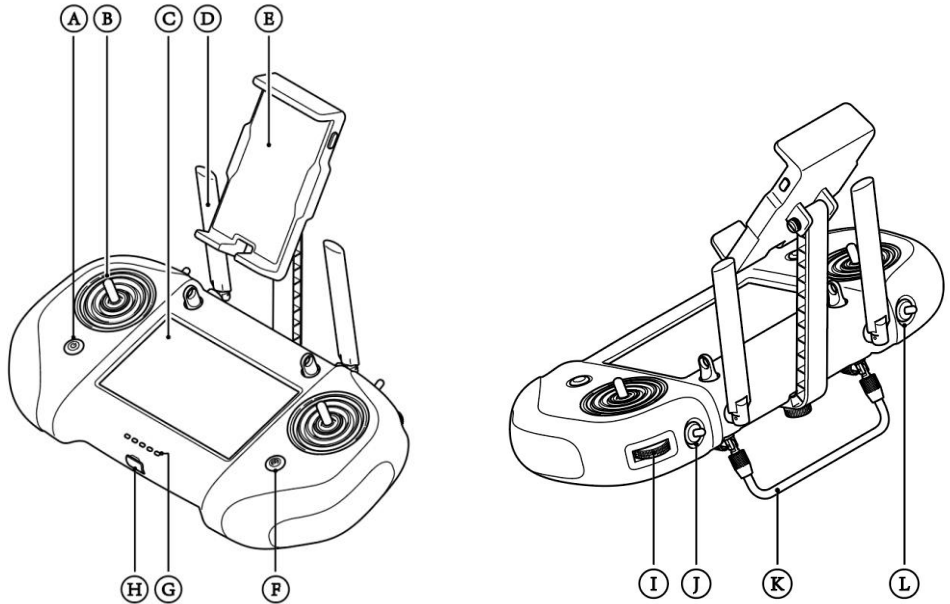
¹ Theoretically, the maximum payload weight of MOBULA could reach 2.5 kg at windless, perfect weather condition. In practice, we will suggest the user to operate the MOBULA by hanging 1-1.5 kg baits at a wind speed of 5 m/s.



- | | | | |
|----|----------------------------|----|-----------------------------|
| A. | Landing Gear | L. | Fishing Line Release Device |
| B. | Camera | M. | Landing Gear |
| C. | Propeller | N. | Rear Arm Unlock Button |
| D. | Motor | O. | Tail Status Indicator |
| E. | Foldable Antenna | P. | Rear LED Indicator |
| F. | Landing Gear Unlock Button | Q. | MOBULA Smart Battery |
| G. | Rear LED Indicator | R. | Battery Level Indicator |
| H. | Foldable Antenna | S. | Battery Power Button |
| I. | Winder (Optional) | T. | Top Status Indicator |
| J. | Berley Release Device | U. | Front Arm Unlock Button |
| K. | Winder Unlock Button | V. | Battery Unlock Button |

Remote Controller

The remote controller of MOBULA allows the user to operate his/her aircraft up to 1.5 km, with the buttons and dials for camera tilt, real-time monitoring and fishing line casting.

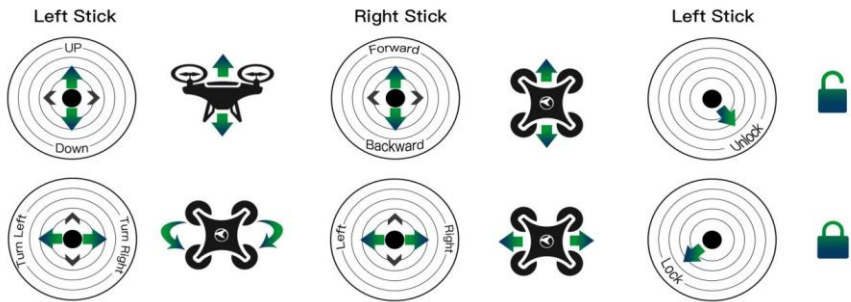


- A. Controller Power Button
- B. Joystick
- C. LCD Screen
- D. Antenna
- E. Mobile Device Clam
- F. Return-to-Home (RTH) Button

- G. Controller Battery Level Indicator
- H. Power Port
- I. Camera Setting Dial
- J. Fishing Line Release Stick
- K. Handle
- L. Flight Mode Switch

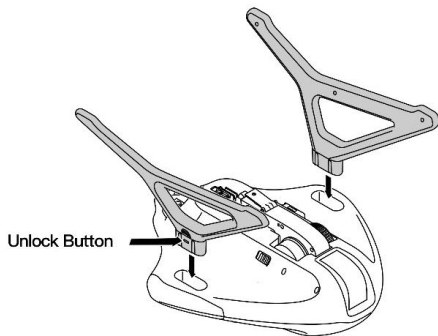
Controls

Using remote controller for operation.



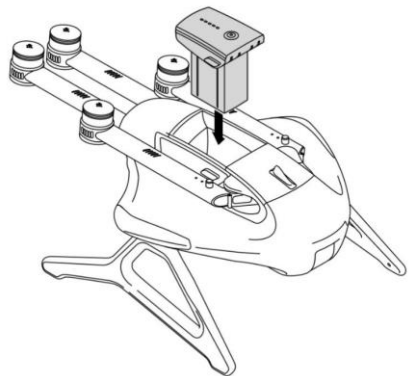
Installation Of The MOBULA

1.



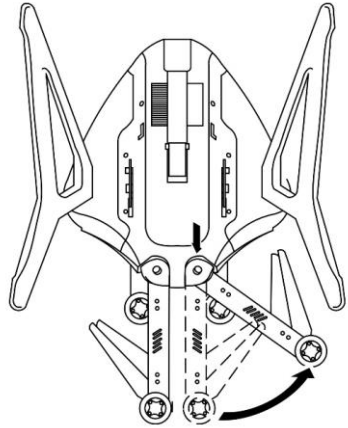
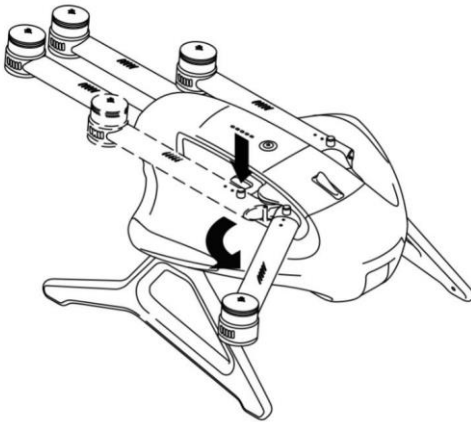
Insert the landing gears to the MOBULA till you hear a "click". Make sure the unlock button face outside.

2.



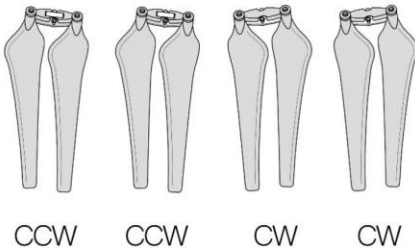
Press the battery unlock button and insert the battery.

3.



Press one of the front arm unlock button and unfold the arm, repeat to the other front arm. And then unfold the rear arms.

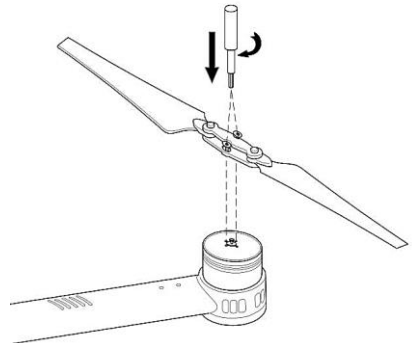
4.



Identify the propellers²

CW = Clockwise Propeller;
CCW = Counter-Clockwise Propeller

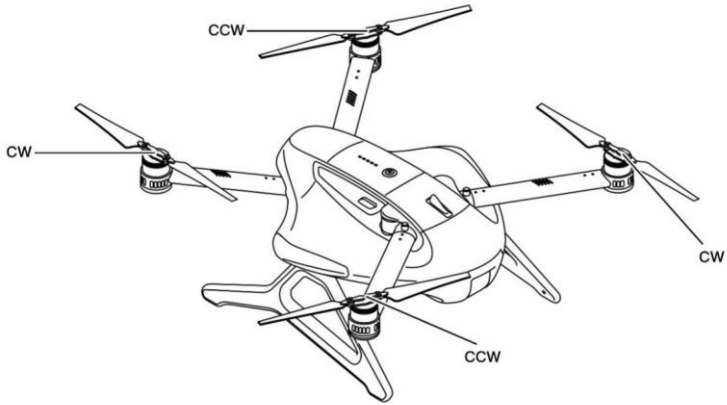
5.



Install the propellers to the arms, and tighten the propellers with the two screws.

- Apply removable thread-locking fluid on the screw, before tighten the screw.
- Do not reuse the screws once it's been untighten.

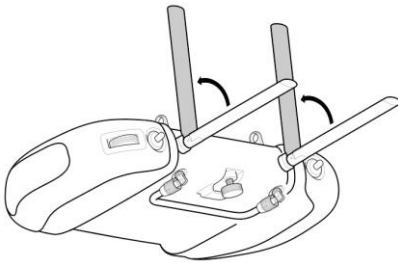
² Follow the CW and CCW sign on the stickers to install the correct propellers.



Unfold the four propellers. The definitive installment positions of propellers are indicated as above.

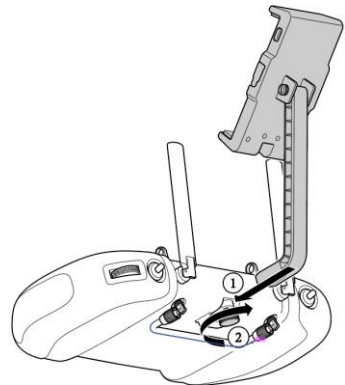
Preparation Of The Remote Controller

1.



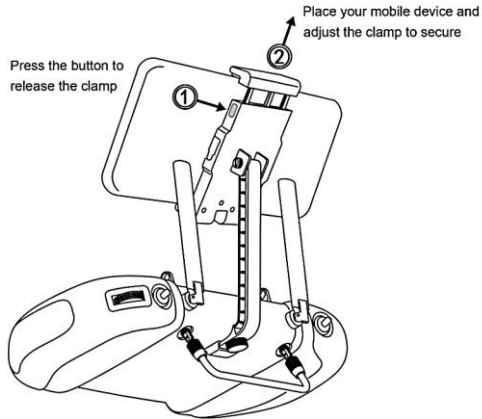
Unfold the antennas

2.



Attach the mobile device clamp

3.



Put your mobile device on the mobile device clamp. Move the upper part of the mobile device clamp downward to secure the mobile device

Connect The MOBULA To Your Mobile Device

1. Search MOBULA Wi-Fi.
The original password is 12345678.



IN-XXXXXX

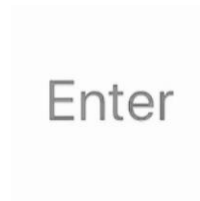
2. Enter app's home page. Tap Fishing



3. Tap the drone icon

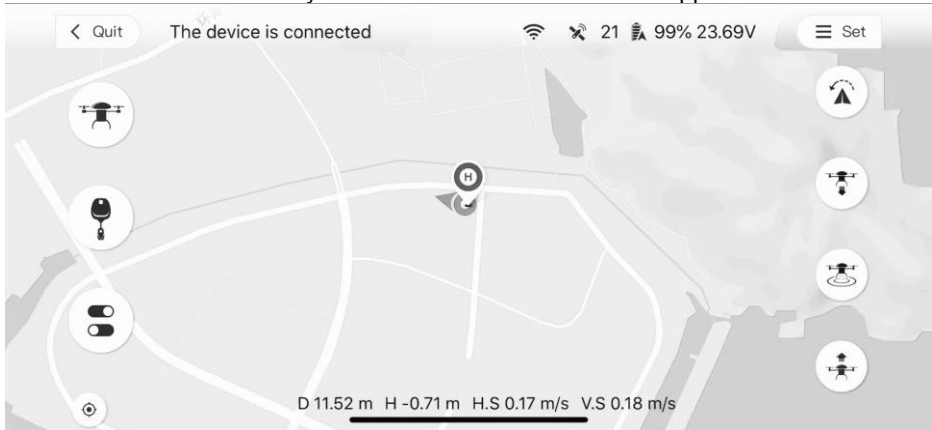


4. Tap Enter



Rippton App Function

Notice Certain functions may not available at Android version app.



Mission Selection

Select Fish Finder scan or Fishing Line/Berley(Burley) cast mission.



Fish Finder

To release or collect Fish Finder.



Switch

To lock/unlock the Fishing Line /Berley Release Module(s).



Fish Finder

Cast the fish finder to scan the selected water region.



Cast Fishing Line

Cast the Fishing Line to the selected water region.



Cast Berley/Burley

Cast the Berley/Burley to the selected water region.



Release Fish Finder

To release Fish Finder.



Collect Fish Finder

To collect Fish Finder.



Home Point

The position where the MOUBLA takes off.



Fishing Line Release Switch

Lock/Unlock the Fishing Line Release Device.



Berley/Burley Release Switch

Lock/Unlock the Berley/Burley Release Devices.



RTH (Return-to-Home)

Bring MOBULA back to the Home Point.



Automatic Landing

MOBULA will land directly and stop its motors.



Automatic Take Off

MOBULA will take off from Home Point.



Automatic Hovering

MOBULA will hover over the current position.



Drone Battery Level

Indicate the current battery level of MOBULA.

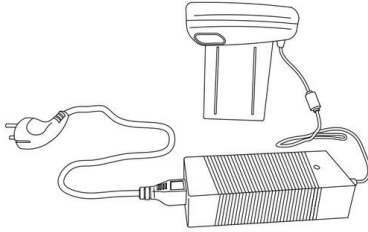


Satellite Number

Indicate the number of satellites providing the positioning signal.

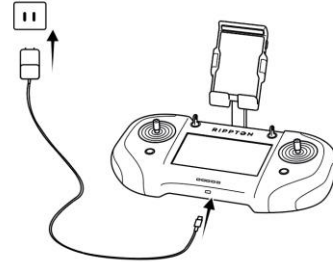
Charging

MOBULA Smart Battery



- Connect the charging adapter with power cord.
- Connect the power cord to an earthed wall socket.
- Connect the charging adapter to the MOBULA smart battery.
- The battery charging time is approx. two to three hours.
- Regularly charge your battery every month to avoid the over-discharge.

Remote Controller



- Connect type-C side of the controller charger to the power port of the controller, and the other side to the socket.
- The charging time is approx. two hours.

More detail about MOBULA Preface, Description of the Product, Preparation and Installation, Operation/Use, Maintenance, Troubleshooting and Repair, Disposal information etc., Please see User Manual.

To watch the video of installation, app operation process, compass & IMU calibration, please scan this QR code below



For more information about Rippton, please scan this QR code below



Safety Notice

Do not pull the fishing line if it got snagged with the drone. It may break the drone's balance.

Specifications

MOBULA

Device Name	MOBULA Smart Fishing Drone
Weight	5.6 kg
Dimensions	630 x 608 x 225 mm (Propeller Closed)
Propeller	17 inches
Max Speed	10 m/s (36 km/h)
Max Payload	2.5 kg
Max Wind Resistance	8 m/s (28.8km/h)
Protection Level	Splash Resistance
Operating Temperature	-10 °C to 60 °C
Operating Frequency	2400 ~ 2483.5 Mhz
Transmitter Power (EIRP)	+20 dBm
Satellite Systems	GPS/GLONASS/GALILEO
*Flying Radius (Without Payload)	0~2.0 km
*Suggested Casting Radius (With Payload)	0~1.5 km
Radio Technology	Wi-Fi Graphic Transmission Controller Spread Spectrum Wireless
Frequency Band	5.8 Ghz Wi-Fi graphic transmission 2.4 Ghz Controller Spread Spectrum Wireless
Operating Environment:	No trees; No obvious obstacles; No strong radio interference; No enroute area; No no-fly zone; Keep the drone within sight; Away from crowds.

MOBULA Remote Controller

LCD Screen	5.5 inches
Operating Frequency	2400~2483.5 Mhz
Max Transmission Distance (Unobstructed, Free of Interference)	2 km

MOBULA Smart Battery

Capacity	10,000 mAh
Battery Type	LI – PO

* Recommend keep the MOBULA within sight