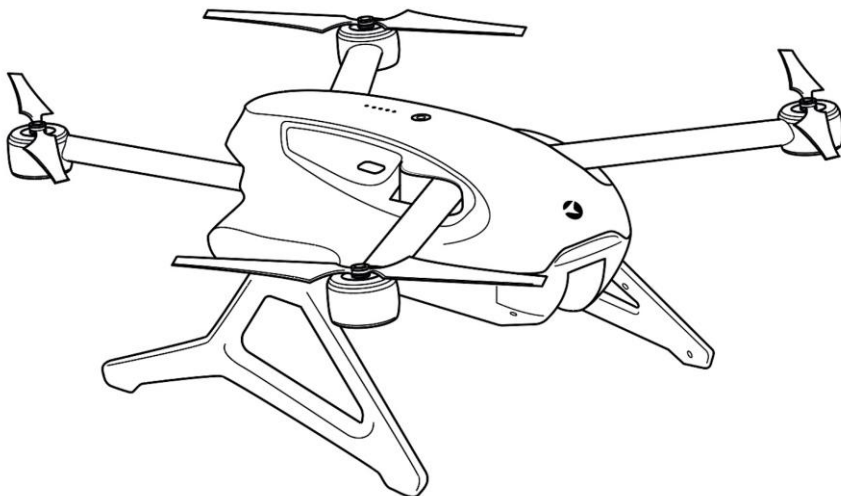


# MOBULA

## SMART FISHING DRONE

### Safety Instruction

V3



# 1. Environment Requirements

- Use the product in open areas only and always within the sight of the user.
- Do not use the product indoor or nearby any crowds.
- Do not use the product close to tall/large metal structures.
- Do not use the product nearby strong radio interference activity areas.
- Do not use the product nearby any strong magnetic fields.
- Do not use the product in extreme weather conditions, such as strong wind with the speed exceeding 28.8km/h, heavy rain, snow, thunderstorm, lightning or fog.

# 2. Pre-flight Checklist

- Ensure to unfold all arms and put each of them in right position before flying.
- Ensure all the CW and CCW propellers are respectively installed in correct direction and firmly on motor.
- Ensure to unfold MOBULA's antenna and make it vertical to the ground during the flight.
- Ensure the battery is fully charged and mounted firmly before flying.
- Ensure MOBULA has connected with controller and receive the signal from least 15 satellites before flying.
- Calibrate MOBULA before flying in a new environment and restart the MOBULA, controller and Rippton App after calibration. First calibration will take a while.
- Ensure to attach a suitable ball bearing swivel between berley and the release device to avoid tangling with the fishing line.
- Ensure to load and use the latest version of Rippton app with an iOS 9 (or later) or Android 8.0 (or later) device and above to assist control of the MOBULA.
- Ensure to fully read and understand all information about the MOBULA, including the User Manual, Quick Start Guide, Safety Instructions and Disclaimer.
- Ensure to be familiar with how to control the MOBULA for flying and casting.
- Users without any drone-piloting experience should practice more than 20 hours in a wide and empty space, before using the MOBULA for sea fishing.

### 3. Operation

- Do not use the product under the influence of drugs, alcohol or medication.
- Do not use the product when lacking concentration or awareness.
- Be vigilant and careful at all times when using the product.
- Do not take off the product from the water.
- Do not land the product on the water except for emergency.
- Restart the MOBULA and controller when there is no image on the controller screen.
- Stay away from the rotating propellers and motors when the product is turned on.
- Ensure to observe all local regulations, obtain appropriate authorizations, and understand the risks.
- Ensure to start with low payload (like 1kg – 1.5kg) and gradually increase payload up to 2.5 kg when familiar with the product.
- Ensure to keep connecting the MOBULA with the mobile device and monitor the battery capacity from the Rippton App's interface during the flight.
- Ensure to take off the MOBULA at the flat ground. If take off the MOBULA at the boat, ensure the boat are relatively steady.
- The product will automatically return to Home Point in Return-to-Home with low battery level, or when the voltage is within 21.7V~21.8V, or when the radio signal is lost. When the signal is received again, to regain control, short press and long press RTH button and switch to manual mode and switch back.
- Stop using the product if there is any damage, and follow the instructions in User Manual or contact local dealer in case of an error.
- Ensure there are no ship, speedboat, yacht or any other watercraft in 200 meter range while casting fishing line or berley. If any watercraft appears, drop the payload beforehand, to avoid any danger.
- Ensure only attach the payload when MOBULA is on the ground and motor stopped. Do not attach anything or try to move MOBULA during flight.
- Only use the supplied charger for battery charging to avoid potential damage. Rippton takes no responsibility if a battery is charged by a non-Rippton charger.
- Do not use the charger with other products.
- Do not charge the battery near fire, heat source or flammable materials.
- Do not charge the battery immediately after flight until it cools down.

- Do not clean a charger with denatured alcohol or other flammable solvents.
- Do not touch a mains plug with wet hands.
- Ensure to check the battery, cables and charger for any damage before charging.
- Ensure to charge the battery at temperatures between 10°C and 45°C.
- Ensure to connect the charger to a permanent and earthed AC wall socket before charging.
- Ensure to use the charger in a suitable, properly installed and easily accessible mains power socket.
- Ensure to unplug all connections immediately and stop using the battery or charger with any visible damage, a strong odor or excessive overheating of components.
- Ensure to grasp the plug instead of the cord to unplug charger.
- Ensure to disconnect the charger from the mains when the battery is fully charged.
- Do not pull the fishing line if it got snagged with the drone. It may break the drone's balance.

## 4. Battery Safety Instructions

- NEVER use non-Rippton battery. Go to local distributors to purchase replacements. Rippton takes no responsibility for any damage caused by non-Rippton battery.
- NEVER use or charge swollen, leaky, or damaged battery.
- NEVER install or remove a battery from the MOBULA when it is turned on.
- NEVER disassemble or pierce a battery in any way.
- Do not use the battery in strong electrostatic or electromagnetic environments.
- Do not reversely connect the positive and negative terminals of the battery.
- Do not use the battery to fly the MOBULA when the battery level is lower than 20%.
- Do not put the battery into any kind of liquid. Do not leave the battery out in the rain or near a source of moisture.
- Ensure to fully charge the battery before every flight.

- Ensure to take the battery out immediately and put it in a safe and open area if the battery falls into water during the flight. Maintain a safe distance from the battery until it is completely dry, and do not use damaged battery again.
- Use the battery at temperatures between -10°C and 60°C.

## 5. Regulations And Flight Restrictions

- Do not fly the product near or inside No-Fly Zones specified by local laws and regulations, including airports, borders between two sovereign countries or regions, major cities or regions and etc., which will be subject to continuous change.
- Do not fly around sensitive infrastructure or property such as power stations, water treatment facilities, correctional facilities, heavily traveled roadways, government facilities, military zones etc.
- Abide by all regulations set forth by government and regulatory agencies when using the product, including the ICAO and the FAA.
- Do not fly the product above the authorized altitude (120 m) or exceed the suggested flying radius (2 km).
- Do not fly the product in the vicinity of manned aircraft, regardless of altitude.
- NEVER use the product to carry illegal or dangerous payloads/goods.
- Always keep the product within visual line of sight.
- Use the product within the specified performance limits.

## 6. Storage And Maintenance

- Ensure to do maintenance and inspection frequently. Stop using the product when there is any visible damage, strong odor, or excessive overheating of components.
- Do not make alterations or technical modifications to the product.
- Do not attempt to open, modify or repair the product.
- Ensure to only use original accessories and spare parts. This product does not contain any user-serviceable parts, except for the propellers.

- Ensure to go to authorized resellers with any configuration, servicing, and repairs requirements.
- Ensure to unplug all connections before cleaning the product/charger.
- Do not clean electrical/ electronic parts.
- Do not dip the MOBULA or controller into the water.
- Ensure to clean the product housing with a damp cloth instead of any alcohol or chemicals.
- Do not put the product close to other radio equipment.
- Ensure to keep the product away from clothing, fingers, hair and etc. to prevent entanglement and jamming.
- Ensure to store the product in a cool, dry place away from the direct sunlight to avoid potential overheat damage to the built-in Li-Po battery.
- Store the product within a temperature range of +5°C to +40°C and with a relative humidity of max 50% at +40°C.
- Do not put the battery within the reach of children or pets.
- Do not put the battery near metal objects to avoid short circuit.
- Do not leave the battery inside of a vehicle on hot days.
- Do not put the battery in a microwave oven or in a pressurized container.
- Do not put the battery near fire or heat sources.
- Do not place heavy objects on the battery.
- Ensure to keep the battery in a cool and dry place.
- Ensure to store the battery at temperatures between -20°C and 25°C.
- Ensure to charge the battery monthly even if it would not be used soon, in order to avoid the over-discharge due to the special characteristic of the Li-Po battery.
- Ensure to take the battery out of the MOBULA after each use.

## 7. Battery Disposal

- Ensure to dispose the battery ONLY after a complete discharge.
- Ensure to place the battery in specific recycling boxes instead of regular trash containers.
- Ensure to strictly follow local regulations for battery disposal and recycling.

## 8. Disclaimer And Warning

The product is not a toy and should not be used by children under 14 years of age.

The product is recommended to use by people with drone-piloting experience.

Users without any drone-piloting experience should practice more than 20 hours at a wide and empty space before using the MOBULA for sea fishing.

This product is not intended for use by people with restricted physical, sensory or intellectual capability or lack of experience and/ or knowledge.

The product is only allowed to use for fishing.

Rippton makes no representations or warranties with respect to this manual and, to the maximum extent permitted by law, expressly limits its liability for breach of any warranty that may be implied by to the replacement of this manual with another. Furthermore, Rippton reserves the right to revise this publication at any time without incurring an obligation to notify any person of the revision.

The information provided in this documentation contains general descriptions and/or technical characteristics of the performance of the products contained herein. This documentation is not intended as a substitute for and is not to be used for determining the suitability or reliability of these products for specific user applications. It is the duty of any such user or integrator to perform the appropriate and complete risk analysis, evaluation and testing of the products with respect to the relevant specific application or use thereof. Neither Rippton nor any of its affiliates or subsidiaries shall be responsible or liable for misuse of the information that is contained herein. If you have any suggestions for improvements or amendments or have found errors in this publication, please notify us.

All pertinent state, regional, and local safety regulations must be observed when installing and using this product. For reasons of safety and to help ensure compliance with documented system data, only the manufacturer shall perform repairs to components.

When devices are used for applications with technical safety requirements, the relevant instructions must be followed. Failure to observe this information can result in injury or equipment damage.

Copyright © 2018 by Rippton. All rights reserved. No part of this publication may be reproduced, distributed, or transmitted in any form or by any means, including photocopying, recording, or other electronic or mechanical methods, without the prior written permission of the publisher. For permission requests, write to the publisher, marked "Attention: Permissions Coordinator," at the address below.



Email: [support@rippton.com](mailto:support@rippton.com)

Tel: +86 574 87139648

Zip Code: 315000